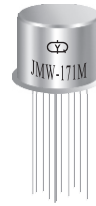




## JMW-171M TO-5 Magnetic Latching Relay With Reliability Index

### ● Overview

The relay adopt the technology of hermetically sealed. It has one group of switch contacts (1PDT). The load current can from low level to 0.5A. Internal diode supply coil transient suppression protection. The product's appearance, installation, and technical index is in line with the requirements of MIL-R-39016/27E.



### ● Environment Condition

Ambient temperature : -65~125°C	Sine vibration : 294m/s <sup>2</sup> , 10~3000Hz
Relative humidity : 98% at 40°C	Random Vibration : 40(m/s <sup>2</sup> ) <sup>2</sup> /Hz, 239.1m/s <sup>2</sup>
Low air pressure : 4KPa	Acceleration : 490m/s <sup>2</sup>
Shock acceleration : 735m/s <sup>2</sup>	

### ● Main technical data

Coil power (W): 0.29~0.41 (Instantaneous)	Contact load range : 10μA~0.5A (Resistive) 10mV~30Vd. c. 5~115Va. c.
Contact resistance : Initial ≤125 (mΩ) After life ≤225	Switching power max. : 14W 29VA (Resistive)
Insulation resistance: normal condition ≥ 10000 (MΩ) After high electrical level life ≥1000	Contact load and life : 0.5A, 28Vd. c., 1×10 <sup>5</sup> cycles 10~50μA, 10~50mV, 1×10 <sup>5</sup> cycles 0.25A, 115Va. c., 1×10 <sup>5</sup> cycles
Dielectric strength (Vr.m.s., 50Hz) : Normal condition 500 Low air pressure condition 125	Weight (g) : ≤ 2.27
Time index: Operate time ≤1.5 (ms) Energized pulse width 5~30	Leakage rate : ≤10 <sup>-3</sup> Pa·cm <sup>3</sup> /s Failure rate : level L

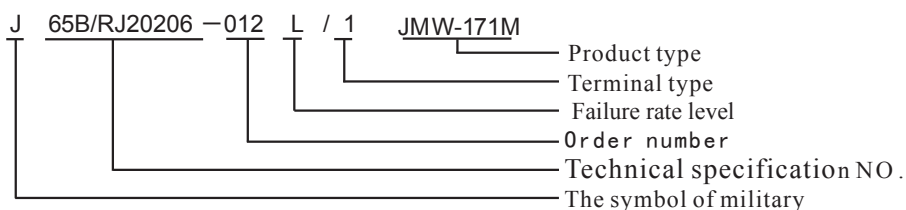
### ● Specification parameter

V

Order number	Coil Voltage		25°C		-65~125°C	
	Nominal Voltage	Value Max.	Coil Resistance (1±10%) Ω		Pick-up Voltage Max.	Pick-up Voltage Max.
			I	II		
005	5	5.8	61	61	2.8	3.7
006	6	8.0	120	120	3.5	4.5
009	9	12.0	280	280	5.3	6.8
012	12	16.0	500	500	7.0	9.0
018	18	24.0	1130	1130	10.5	13.5
027	27	32.0	2000	2000	14.2	18.0

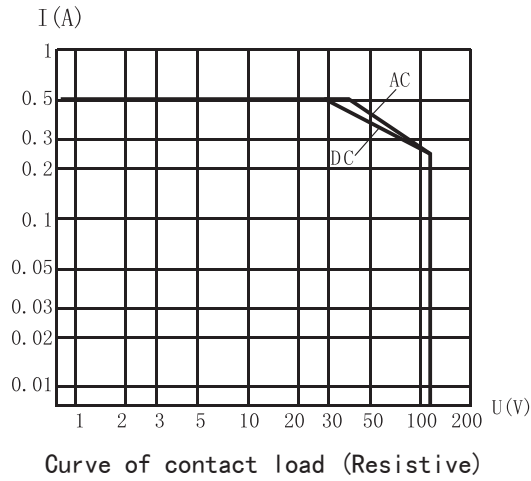
Notes: Conform to GJB65B-99

### ● Ordering information

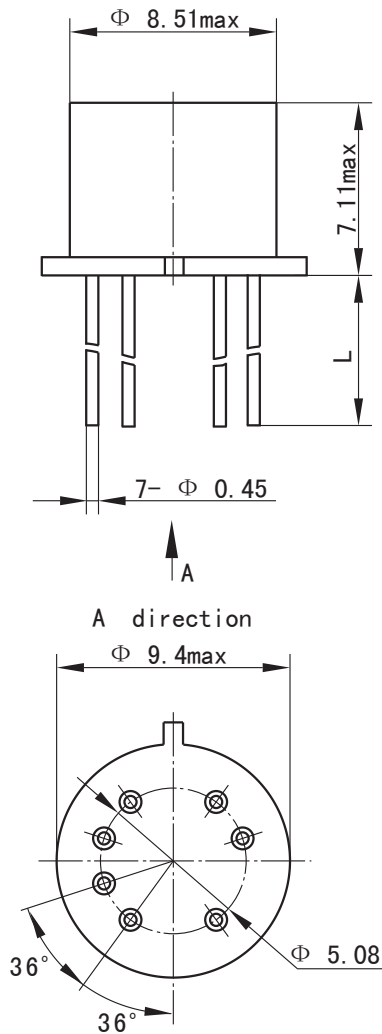




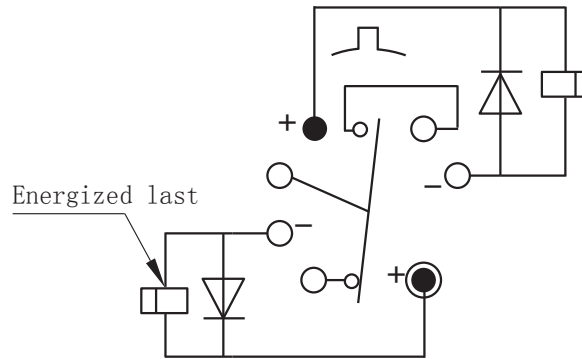
● Load characteristics



● Outline mounting dimensions and bottom view circuit



L (mm)	Terminal type
$5 \pm 0.5$	1
12.5min	2



Bottom view circuit