



JRW-221M Standard T0-5 Relay With Reliability Index

● Overview

The relay adopt the technology of hermetically sealed. It has two group of switch contacts (2PDT). The load current can from low level to 1A. Internal diode supply coil transient suppression protection. The product's appearance, installation, and technical index is in line with the requirements of MIL-R-39016/18G.



● Environment condition

Ambient temperature : $-65\sim 125^{\circ}\text{C}$ Sine vibration : 294m/s^2 , $10\sim 3000\text{Hz}$
 Relative humidity : 98% at 40°C Random Vibration : $40(\text{m/s}^2)^2/\text{Hz}$, 239.1m/s^2
 Low air pressure : 4KPa Acceleration : 490m/s^2
 Shock acceleration : 735m/s^2

● Maintechnical data

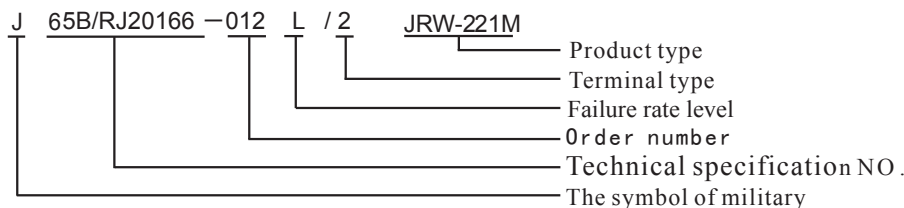
| | |
|---|--|
| Coil power (W) : ≤ 0.5 | Contact load rating : $10\mu\text{A}\sim 1\text{A}$ (Resistive) $10\text{mV}\sim 30\text{Vd.c.}$ $5\sim 115\text{Va.c.}$ |
| Contact resistance : Initial ≤ 100 ($\text{m}\Omega$) After life ≤ 200 | |
| Insulation resistance: normal condition ≥ 10000 ($\text{M}\Omega$) After high electrical level life ≥ 1000 | Switching power max. (Resistive) : 28 W, 29VA |
| Dielectric strength (Vr.m.s., 50Hz) : normal condition 500 low air pressure condition 125 | Contact load and life : $10\sim 50\mu\text{A}$, $10\sim 50\text{mV}$, 1×10^5 cycles 1A , 28Vd.c. , 1×10^5 cycles 0.25A , 115Va.c. , 1×10^5 cycles |
| Time index : Operate time ≤ 2 (ms) Release time ≤ 4 | Weight (g) : ≤ 2.55 |
| | Leakage rate: $\leq 10^{-3}\text{Pa}\cdot\text{cm}^3/\text{s}$ |
| | Failure rate : level L |

● Specification parameter

| Order number | Coil Voltage | | 25 $^{\circ}\text{C}$ | | | -65 $\sim 125^{\circ}\text{C}$ | |
|--------------|-----------------|------------|--|----------------------|------------------|--------------------------------|------------------|
| | Nominal Voltage | Value Max. | Coil Resistance ($1\pm 10\%$) Ω | Pick-up Voltage Max. | Drop-Out Voltage | Pick-up Voltage Max. | Drop-Out Voltage |
| 005 | 5 | 5.8 | 50 | 2.7 | 0.22 ~ 1.4 | 3.5 | 0.14 ~ 2.3 |
| 006 | 6 | 8.0 | 98 | 3.5 | 0.28 ~ 2.0 | 4.5 | 0.18 ~ 3.2 |
| 009 | 9 | 12.0 | 220 | 5.3 | 0.54 ~ 3.0 | 6.8 | 0.35 ~ 4.9 |
| 012 | 12 | 16.0 | 390 | 7.0 | 0.63 ~ 4.0 | 9.0 | 0.41 ~ 6.5 |
| 018 | 18 | 24.0 | 880 | 10.5 | 0.91 ~ 6.0 | 13.5 | 0.59 ~ 10.0 |
| 027 | 27 | 32.0 | 1560 | 14.2 | 1.37 ~ 8.0 | 18.0 | 0.89 ~ 13.0 |

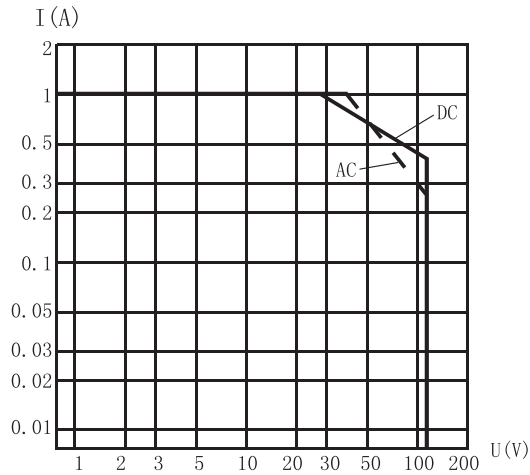
Notes: Conform to GJB65B-99.

● Ordering Information

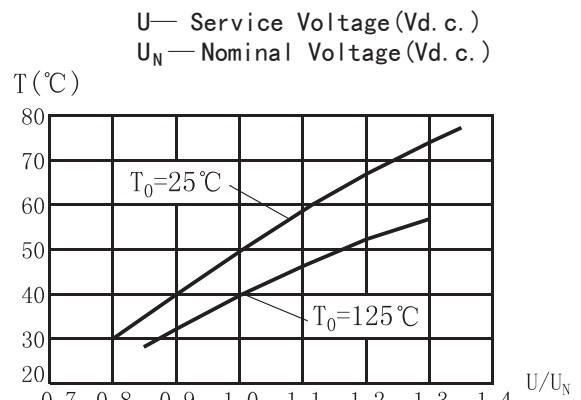




● Load characteristics and coil temperature increase

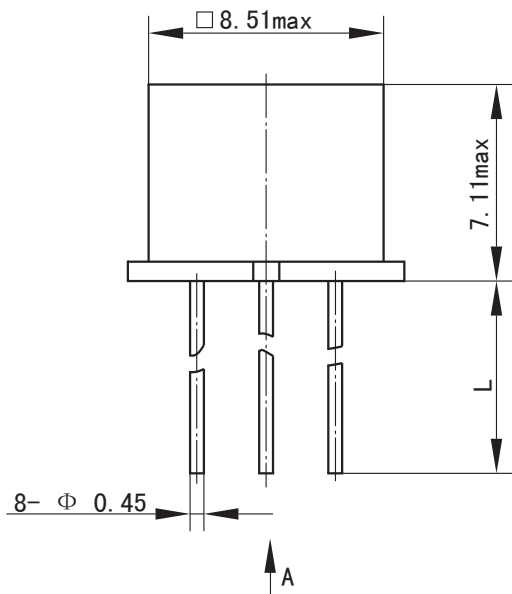


Curve of contact load (Resistive)

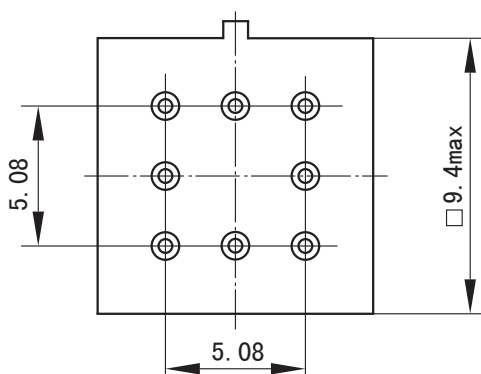


Curve of coil temperature increase
(T_0 —ambient temperature)

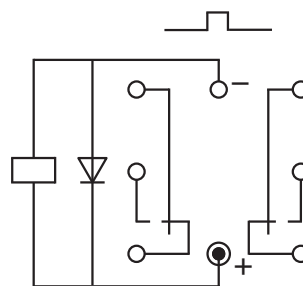
● Outline mounting dimensions and bottom view circuit



A direction



| L (mm) | Terminal type |
|-------------|---------------|
| 5 ± 0.5 | 1 |
| 12.5min | 2 |



Bottom view circuit