



JRW-222M Standard TO-5 Relay With Reliability Index

● Overview

The relay adopt the technology of hermetically sealed. It has two group of switch contacts (2PDT). The load current can from low level to 1A. Internal diode supply coil transient suppression protection and positive polarity protection. The product's appearance, installation, and technical index is in line with the requirements of MIL-R-39016/19G.



● Environment condition

Ambient temperature : $-65\sim 125^{\circ}\text{C}$ Sine vibration : 294m/s^2 , $10\sim 3000\text{Hz}$
 Relative humidity : 98% at 40°C Random Vibration : $40(\text{m/s}^2)^2/\text{Hz}$, 239.1m/s^2
 Low air pressure : 4KPa Acceleration : 490m/s^2
 Shock acceleration : 735m/s^2

● Maintechnical data

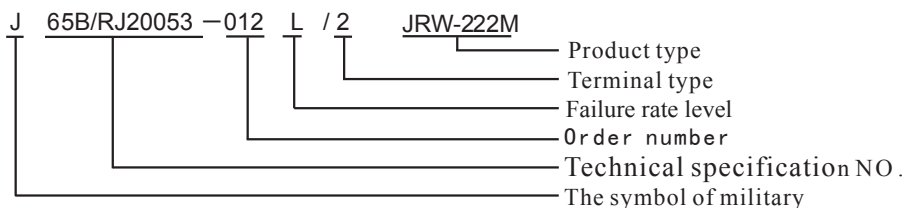
Coil power (W) : ≤ 0.5	Contact load range : $10\mu\text{A}\sim 1\text{A}$ (Resistive) $10\text{mV}\sim 30\text{Vd.c.}$ $5\sim 115\text{Va.c.}$
Contact resistance : Initial ≤ 100 ($\text{m}\Omega$) After life ≤ 200	
Insulation resistance: normal condition ≥ 10000 ($\text{M}\Omega$) After high electrical level life ≥ 1000	Switching power max. (Resistive) : 28 W, 29VA
Dielectric strength ($V_{r.m.s.}$, 50Hz) : normal condition 500 low air pressure condition 125	Contact load and life : $10\sim 50\mu\text{A}$, $10\sim 50\text{mV}$, 1×10^5 cycles 1A , 28Vd.c. , 1×10^5 cycles 0.25A , 115Va.c. , 1×10^5 cycles
Time index : operate time ≤ 2 (ms) Release time ≤ 4	Weight (g) : ≤ 2.55
	Leakage rate: $\leq 10^{-3}\text{Pa}\cdot\text{cm}^3/\text{s}$
	Failure rate : level L

● Specification parameter

Order number	Coil Voltage		25 $^{\circ}\text{C}$			-65 $\sim 125^{\circ}\text{C}$	
	Nominal Voltage	Value Max.	Coil Resistance Ω (Note 3)	Pick-up Voltage Max.	Drop-Out Voltage	Pick-up Voltage Max.	Drop-Out Voltage
005	5	5.8	39	3.2	0.6 ~ 2.3	4.0	0.6 ~ 2.8
006	6	8.0	78	4.0	0.7 ~ 2.8	5.0	0.7 ~ 3.4
009	9	12.0	220	6.3	0.9 ~ 4.2	7.8	0.8 ~ 5.3
012	12	16.0	390	8.0	1.1 ~ 5.2	10.0	0.9 ~ 6.5
015	15	20.0	610	9.7	1.2 ~ 6.3	12.3	1.0 ~ 8.3
018	18	24.0	880	11.5	1.4 ~ 7.3	14.5	1.1 ~ 10.0
027	27	32.0	1560	15.2	1.8 ~ 9.5	19.0	1.4 ~ 13.0

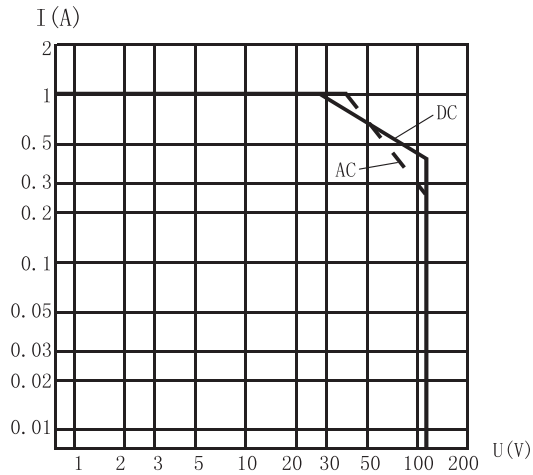
Notes: 1. We can offer many types of coil voltage under the requirement of users.
 2. Conform to GJB65B-99.
 3. Coil resistance can't directly measurable.

● Ordering information

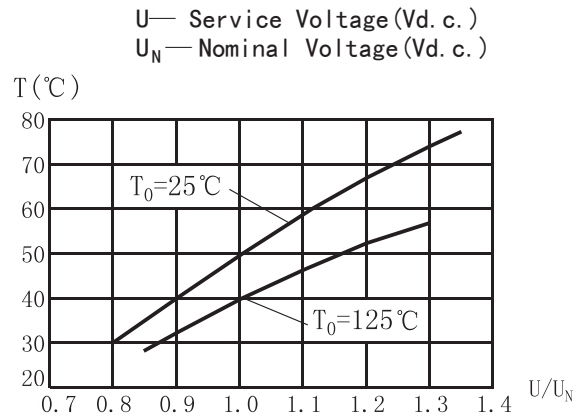




● Load characteristics and coil temperature increase

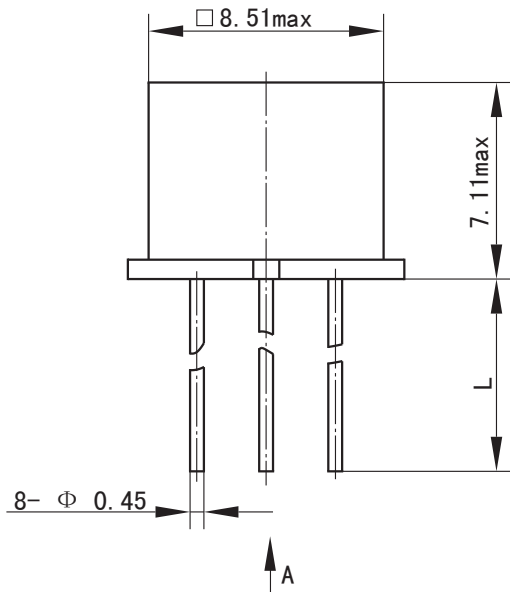


Curve of contact load (Resistive)

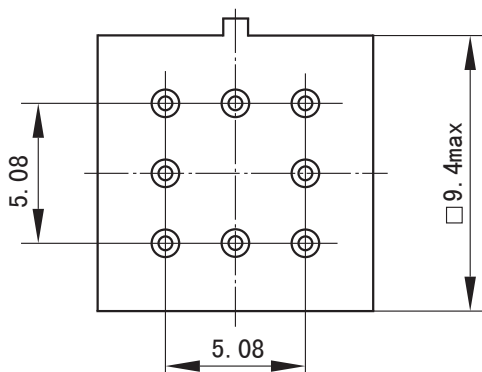


Curve of coil temperature increase
(T_0 —ambient temperature)

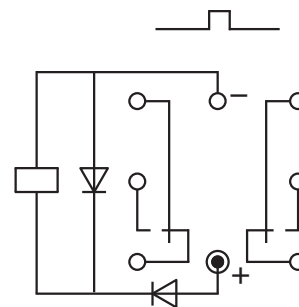
● Outline mounting dimensions and bottom view circuit



A direction



L (mm)	Terminal type
5 ± 0.5	1
12.5min	2



Bottom view circuit