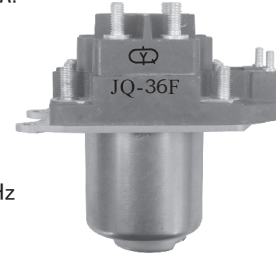




JQ-36F Three-phase AC Contactor

● Overview

The contactor has 3PNO main contact, and 3PNC main contact. The product can easily change into 3PDT main contact. The load current can reach to 50A. It can be used interchangeably with the product of Т К Д533Д О Д.



● Environment Condition

Ambient temperature : -55~85 °C Shock acceleration : 196 m/s²
 Relative humidity : 98% at 40°C Sine vibration : 98 m/s² , 10~500Hz
 Low air pressure : 2.5KPa (25000m) Acceleration : 98 m/s²

● Main technical data

Coil power (W): ≤2.9 (Steady value)	Contact load range: 5~50A (Resistive)
Contact resistance : Initial ≤50 (mΩ) After life ≤150	5~110Vd.c. 5~380Va.c.
Insulation resistance: normal condition ≥1000 (MΩ) After high electrical level life ≥100	Switching power max.: 3000W, 10000VA (Resistive)
Dielectric strength (Vr.m.s., 50Hz) : Normal condition 1000 Low air pressure condition 400	Contact load and life : 50A , 60Vd.c. , 2 × 10 ⁴ cycles 50A , 115/200Va.c. , 400Hz, 3Φ, 2 × 10 ⁴ cycles 25A , 380Va.c. , 50Hz , 3Φ, 1 × 10 ⁴ cycles 50A, 115/200Va.c. , 400Hz, COSΦ ≥ 0.5, 1 × 10 ⁴ cycles 18A, 380Va.c. , 50Hz, COSΦ ≥ 0.5, 1 × 10 ⁴ cycles
Time index: Operate time ≤30 (ms) Release time ≤20	Weight (g): ≤700

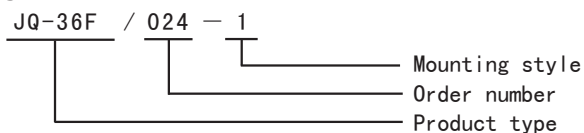
● Specification parameter

Order number	Coil Voltage		25°C			-55~85°C		
	Nominal Voltage	Value Max.	Coil Resistance (1±10%) Ω		Pick-up Voltage Max.	Drop-Out Voltage	Pick-up Voltage Max.	Drop-Out Voltage
			Holding	Start-up				
024	24	26.4	220	5	16.0	1.95~ 7.2	19.2	1.2 ~ 9.6
028	28	29.8	276	6	18.0	2.30~ 8.4	22.4	1.4 ~ 11.2
036	36	39.6	491	11	24.0	2.93~ 10.8	28.8	1.8 ~ 14.4
110	110	121.0	4650	100	73.0	8.96~ 33.0	88.0	5.5 ~ 44.0

Notes: 1) Conform to GJB2449-1995.

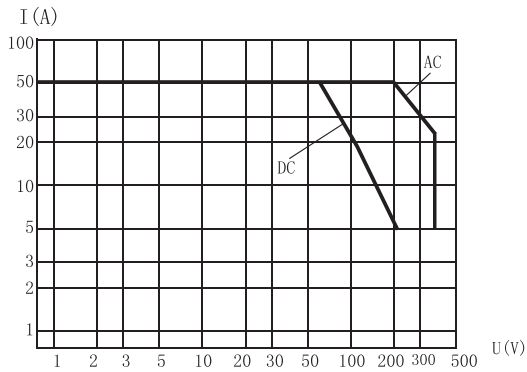
2) We can offer many types of coil voltage under the requirement of users.

● Ordering information

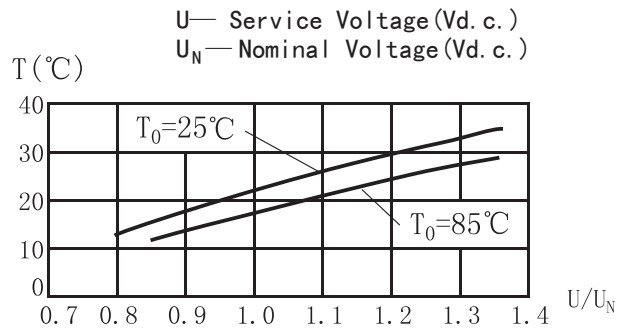




● Load characteristics and coil temperature increase

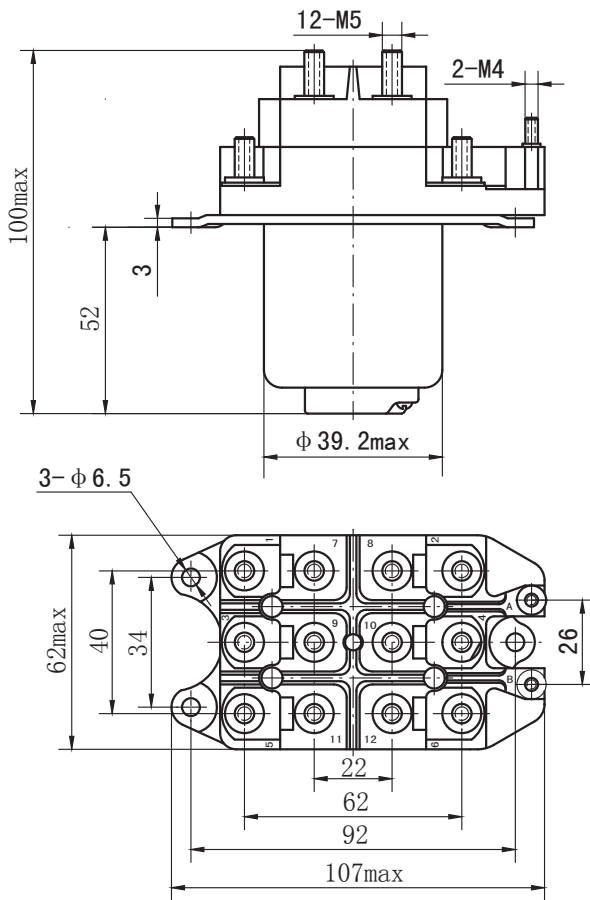


Curve of contact load (Resistive)

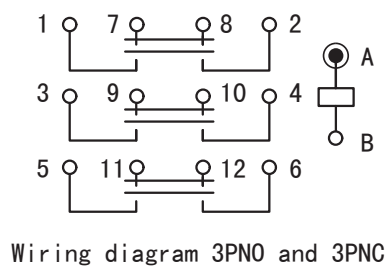


Curve of coil temperature increase
(T_0 —ambient temperature)

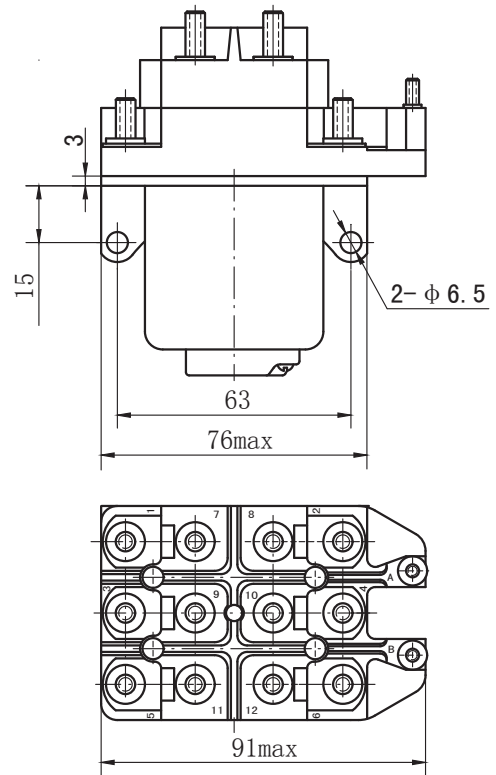
● Outline mounting dimensions and wiring diagram



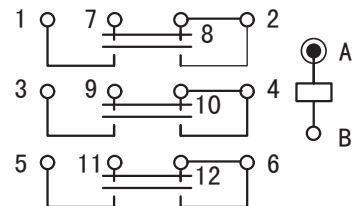
Mounting style 1



Wiring diagram 3PNO and 3PNC



Mounting style 2



Wiring diagram 3PDT
(With connecting sheet)